

Service Manual

IS301 /EX1S/FX1S

Wireless Dock for iPod

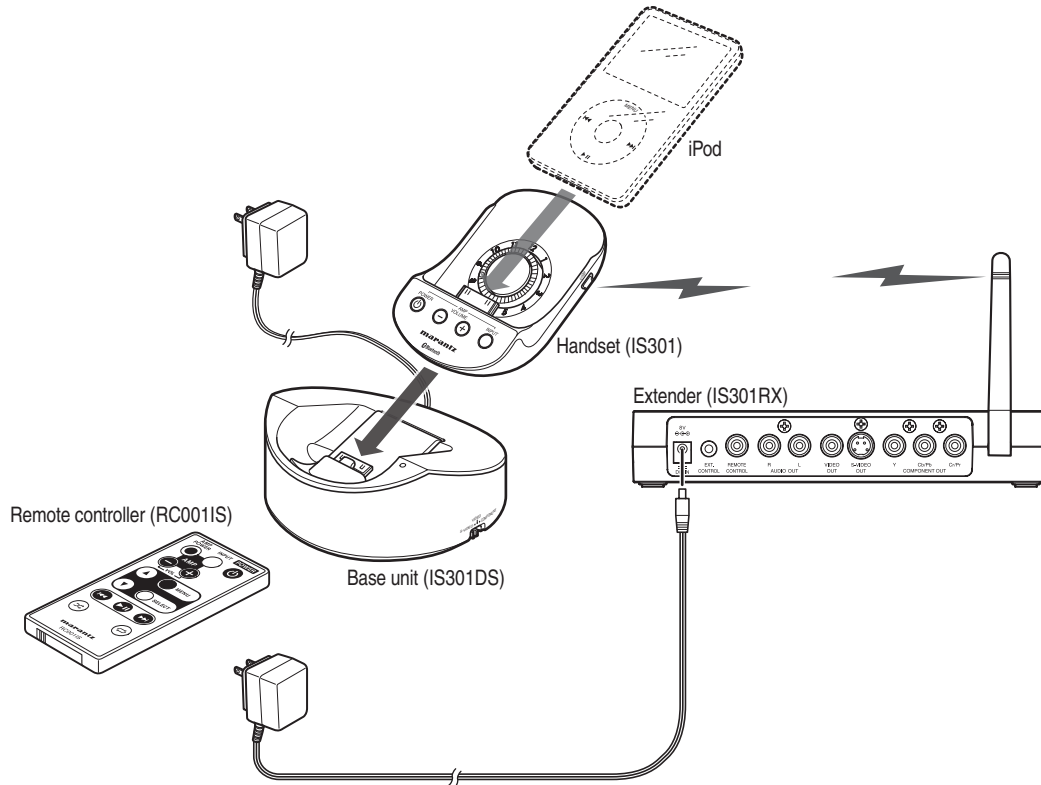


TABLE OF CONTENTS

SECTION	PAGE
1. TECHNICAL SPECIFICATIONS	1
2. PARTS LIST	3

Please use this service manual with referring to the user guide (D.F.U.) without fail.
修理の際は、必ず取扱説明書を準備し操作方法を確認の上作業を行ってください。

marantz®

IS301

Part no. 90M15DW855010
First Issue 2009.01
MZ

IS301

MARANTZ DESIGN AND SERVICE

Using superior design and selected high grade components, **MARANTZ** company has created the ultimate in stereo sound. Only original **MARANTZ** parts can insure that your **MARANTZ** product will continue to perform to the specifications for which it is famous.

Parts for your **MARANTZ** equipment are generally available to our National Marantz Subsidiary or Agent.

ORDERING PARTS :

Parts can be ordered either by mail or by Fax.. In both cases, the correct part number has to be specified.

The following information must be supplied to eliminate delays in processing your order :

1. Complete address
2. Complete part numbers and quantities required
3. Description of parts
4. Model number for which part is required
5. Way of shipment
6. Signature : any order form or Fax. must be signed, otherwise such part order will be considered as null and void.

USA

MARANTZ AMERICA, INC
100 CORPORATE DRIVE
MAHWAH, NEW JERSEY 07430
USA

EUROPE / TRADING

D&M EUROPE B. V.
P. O. BOX 8744, BUILDING SILVERPOINT
BEEMDSTRAAT 11, 5653 MA EINDHOVEN
THE NETHERLANDS
PHONE : +31 - 40 - 2507844
FAX : +31 - 40 - 2507860

CANADA

D&M Canada Inc.
5-505 APPLE CREEK BLVD.
MARKHAM, ONTARIO L3R 5B1
CANADA
PHONE : 905 - 415 - 9292
FAX : 905 - 475 - 4159

JAPAN

D&M Holdings Inc.
D&M BUILDING, 2-1 NISSHIN-CHO,
KAWASAKI-KU, KAWASAKI-SHI,
KANAGAWA, 210-8569 JAPAN

株式会社 ディーアンドエムホールディングス

本社 〒210-8569
神奈川県川崎市川崎区日進町2-1 D&Mビル



KOREA

D&M SALES AND MARKETING KOREA LTD.
CHUNG JIN B/D., #1001,
53-5, WONHYORO 3 GA, YONGSAN-GU,
SEOUL, 140-719, KOREA
PHONE : +82 - 2 - 323 - 2155
FAX : +82 - 2 - 323 - 2154


CHINA

D&M SALES AND MARKETING SHANGHAI LTD.
ROOM.808 SHANGHAI AIRPORT CITY TERMINAL
NO.1600 NANJING (WEST) ROAD, SHANGHAI,
CHINA. 200040
TEL : 021 - 6248 - 5151
FAX : 021 - 6248 - 4434

NOTE ON SAFETY :

Symbol  Fire or electrical shock hazard. Only original parts should be used to replaced any part marked with symbol  . Any other component substitution (other than original type), may increase risk of fire or electrical shock hazard.

安全上の注意 :

 がついている部品は、安全上重要な部品です。必ず指定されている部品番号のものを使用して下さい。

SHOCK, FIRE HAZARD SERVICE TEST :

CAUTION : After servicing this appliance and prior to returning to customer, measure the resistance between either primary AC cord connector pins (with unit NOT connected to AC mains and its Power switch ON), and the face or Front Panel of product and controls and chassis bottom.

Any resistance measurement less than 1 Megohms should cause unit to be repaired or corrected before AC power is applied, and verified before it is return to the user/customer.

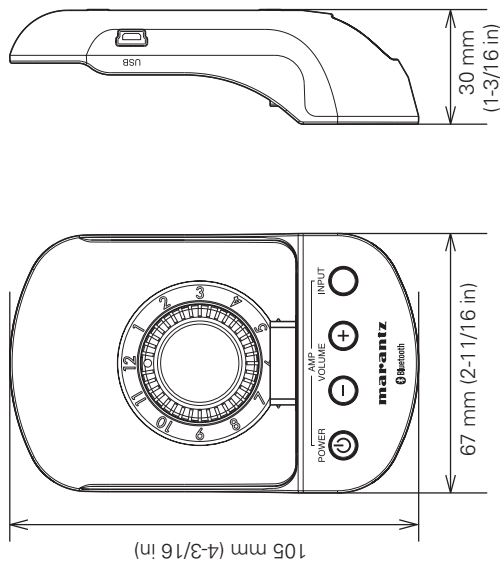
In case of difficulties, do not hesitate to contact the Technical Department at above mentioned address.

1. TECHNICAL SPECIFICATIONS

SPECIFICATIONS

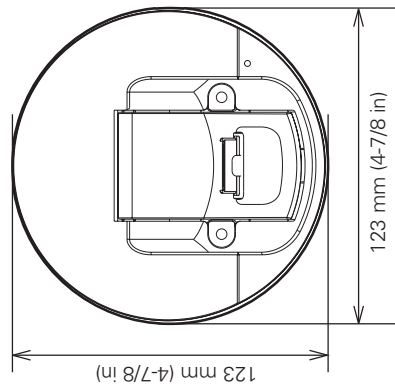
IS301 (HANDSET)

Power supply (from iPod accessory power supply) 5 V DC
 Weight 68 g / 2.4 oz
 External dimensions (W/H/D) 67 x 105 x 30 mm (2-11/16 x 4-3/16 x 1-3/16 in)
 Terminals USB mini B



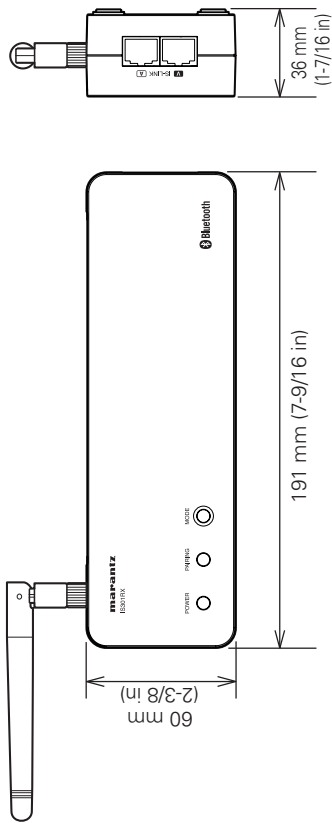
IS301DS (BASE UNIT)

Power supply (from the dedicated AC adaptor) 8 V DC IN
 Weight 230 g / 8.1 oz
 External dimensions (W/H/D) 123 x 123 x 49 mm (4-7/8 x 4-7/8 x 1-15/16 in)
 Terminals RJ-45 x2



IS301RX (EXTENDER)

Power supply (from the dedicated AC adaptor) 8 V DC IN
 Weight 230 g / 8.1oz
 External dimensions (W/H/D) 191 x 60 x 36 mm (7-9/16 x 2-3/8 x 1-7/16 in)
 Terminals Video output (S-VIDEO x1, VIDEO x1, COMPONENT x1)
 Analog audio x1, Remote terminal x1, RS-232C terminal x1, RJ-45 x2



BLUETOOTH-RELATED (IS301/IS301RX)

Communication method Bluetooth ver. 2.1 + EDR
 Transmission output Bluetooth Power Class 2
 Maximum transmission distance Line-of-sight distance approx. 10 m (32.8 ft)(*1)
 Transmission frequency band 2.400 GHz to 2.4835 GHz
 Modulation method FH-SS
 Supporting Bluetooth profiles A2DP (Advanced Audio Distribution Profile),
 AVRCP (Audio Video Remote Control Profile)
 Supporting CODEC SBC (Subband Codec)
 Supporting content protection SCMS-T (Only for the IS301RX)
 Passcode 0000

(*1) The transmission distance is an approximate value. It may vary, depending on the ambient environment.

- The *Bluetooth*® word mark and logos are registered trademarks owned by Bluetooth SIG, Inc. and any use of such marks by D&M Holdings Inc. is under license. Other trademarks and trade names are those of their respective owners.
- Connection with all existing Bluetooth devices is not guaranteed.

SUPPLIED AC ADAPTOR

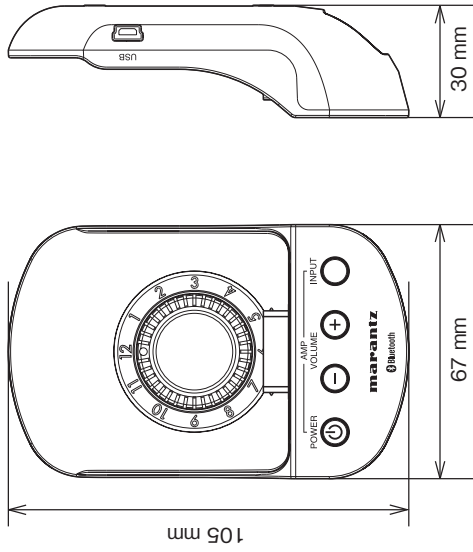
Power supply : INPUT 100 V - 240 V AC (50 Hz or 60 Hz), 35VA
 OUTPUT 8 V DC, 1000mA

The specifications and external appearance of this unit may be changed without prior notification for the purpose of improvement.

主な仕様

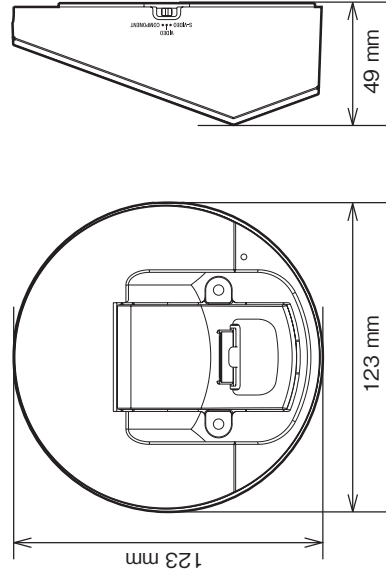
IS301 (ハンドセット)

電源 (iPodアクセサリ用電源)	DC 5V
質量	68 g
外形寸法 (幅×高さ×奥行)	67×105×30 mm
端子	USB mini B



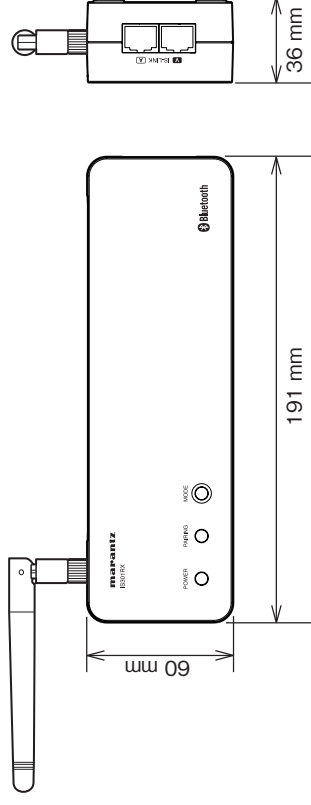
IS301DS (ベースユニット)

電源 (専用ACアダプター)	DC IN 8V
質量	230 g
外形寸法 (幅×高さ×奥行)	123×123×49 mm
端子	RJ-45×2



IS301RX (エクステンダー)

電源 (専用ACアダプター)	DC IN 8V
質量	230 g
外形寸法 (幅×高さ×奥行)	191×60×36 mm
端子	映像出力 (ビデオ×1, ビデオ×1, コンポーネント×1) アナログ音声×1, リモート端子×1, RS232C端子×1, RJ-45×2



Bluetooth関連 (IS301 / IS301RX)

通信方式	Bluetooth ver.2.1 + EDR
送信出力	Bluetooth Power Class 2
最大通信距離	見通し距離 約10 m (*1)
使用周波数帯域	2.400 GHz~2.4835 GHz
変調方式	FH-SS
対応Bluetoothプロファイル	A2DP (Advanced Audio Distribution Profile), AVRCP (Audio Video Remote Control Profile)
対応CODEC	SBC (Subband Codec)
対応コンテンツ保護	SCMS-T (IS301RXのみ)
パスコード	0000

(*1)通信距離は目安です。周囲環境により通信距離が変わる場合があります。

- Bluetooth[®]ワードマークおよびロゴは、Bluetooth SIG, Inc.が所有する登録商標であり、D&M Holdings Inc.はこれら商標を使用する許可を受けています。他のトレードマークおよび簡号は、各所有権者が所有する財産です。
- すべてのBluetooth機器との接続を保証するものではありません。

付属ACアダプター

電源 入力	AC 100 V~240 V (50 Hz / 60 Hz), 250mA 35VA
出力	DC 8 V, 1000mA

本機の仕様および概観は、改良のため予告なく変更することがありますのでご了承ください。

2. PARTS LIST

①



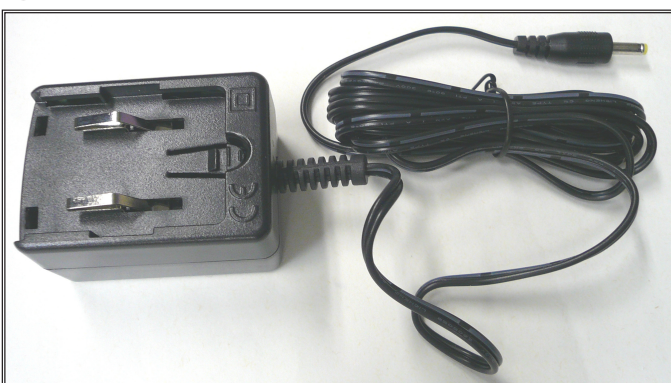
②

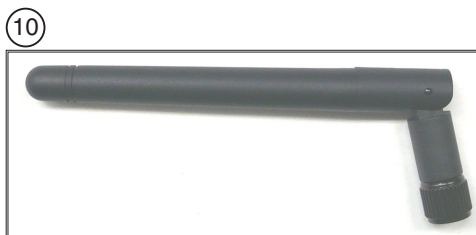
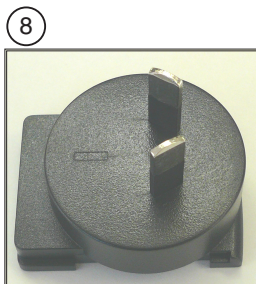
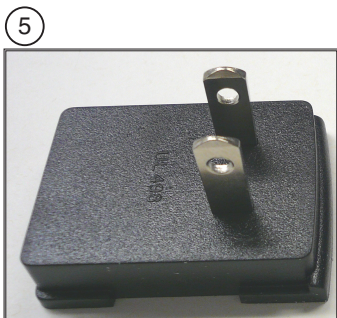


③



④





P.W.B. NAME	POS. NO.	VERS. COLOR	PART NO. (FOR EUR)	PART NO. (MZ)	PART NAME	DESCRIPTION
	1		940309000380M	940309000380M	UNIT KIT	HANDSET UNIT IS301 FAIS301-HANDSET
	2		940309000390M	940309000390M	UNIT KIT	BASE UNIT IS301DS FAIS301-BASE
	3		940309000400M	940309000400M	UNIT KIT	RX UNIT IS301RX (EXTENDER) FAIS301-RX
PACKING						
	4		940693000410M	940693000410M	AC ADAPTOR	AC ADAPTOR FAIS301-320400810000
	5	nsp		940699000360S	PLUG	AC ADAPTOR PLUG(UL) USA/JP FAIS301-380197030103
	6		940699000340S	940699000340S	PLUG	AC ADAPTOR PLUG(GS) EUR FAIS301-380197030101
	7		940699000350S	940699000350S	PLUG	AC ADAPTOR PLUG(BS) UK FAIS301-380197030102
	8	nsp		940699000330S	PLUG	AC ADAPTOR PLUG(SAA) AUS FAIS301-380197030100
	9		940307000420M	940307000420M	UNIT KIT	REMOTE CONTROLLER RC001IS FAIS301-REMOTE
	10		940429000430M	940429000430M	ANTENNA	ANTENNA FOR EXTENDER FAIS301-200351S30100
	11		541110220004M	541110220004M	USER GUIDE	USER GUIDE IS301 (E) FAIS301-520401S30100
NOT STANDARD SPARE PART						
	12	nsp		940531000440M	MASS CARTON	CARTON (MASTER CARTON) FAIS301-560102S30100
	13	nsp		940531000450M	PACKING CASE	DISPLAY BOX (PACKING CASE) FAIS301-540115S30100
	14	nsp		940533000460M	CUSHION	CUSHION (TOP) FAIS301-500700S30100
	15	nsp		940533000470M	CUSHION	CUSHION (BOTTOM) FAIS301-500700S30101

NOTE : "nsp" PART IS LISTED FOR REFERENCE ONLY, MARANTZ WILL NOT SUPPLY THESE PARTS.